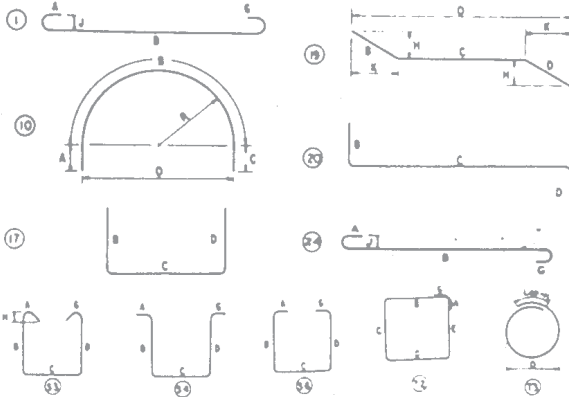




TYPICAL BAR BENDS



Notes:

1. All dimensions are out-to-out of bar except A or G on standard 180-deg and 135-deg hooks.

2. The l dimension on 180-deg hooks to be shown only when necessary to restrict hook size: otherwise standard hooks are to be used.

3. Where l is not shown l will be kept equal to or less than H on truss bars. Where l can exceed H , it should be shown.



4. The H dimension on stirrups to be shown where necessary to fit within concrete.

5. Where bars are to be bent more accurately than standard bending tolerances, bending dimensions which require closer fabrication should have limits indicated.

6. Figures in circles show types.

7. For minimum bend diameters, see Section 3.7.1 of this standard; for recommended hook dimensions, see Table 1.

8. Types S1-S9, S11, T1-T9 apply to Bar Sizes #3 - #8 inclusive only.